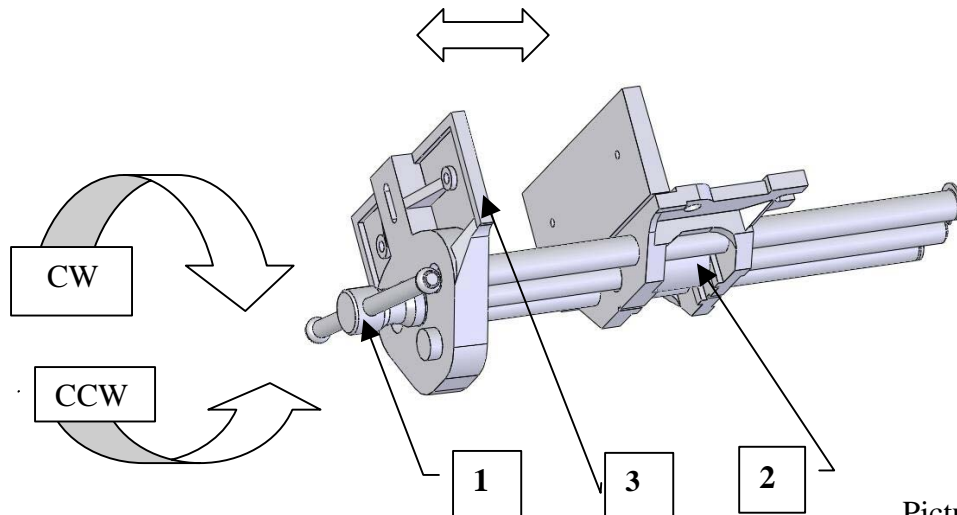


# Operating the Quick-Release Vice



## Components of quick release system ( Picture . 1 ) :

1. Handle
2. Quick-Release Nut
3. Front jaw



Picture. 1

### **Note:**

You must fasten the vise to the bottom of a bench for the gravitational element of the quick release to operate properly.

### **Operating the Quick-Release function:**

By turning the handle counterclockwise (CCW) about 1-1/2 to 2 turns, the quick-release nut releases the main screw. You can then slide the vise open or closed. By turning the handle clockwise (CW) about 1-1/2 to 2 turns, the quick release nut re-engages the main screw and allows you to tighten the vise normally.

### **Caution !!**

Take care to not close the vise on your fingers.