

The TD telescope components (see Fig. 1):

1. Clamping plate
2. Positioning handle
3. Base
4. Sleeve

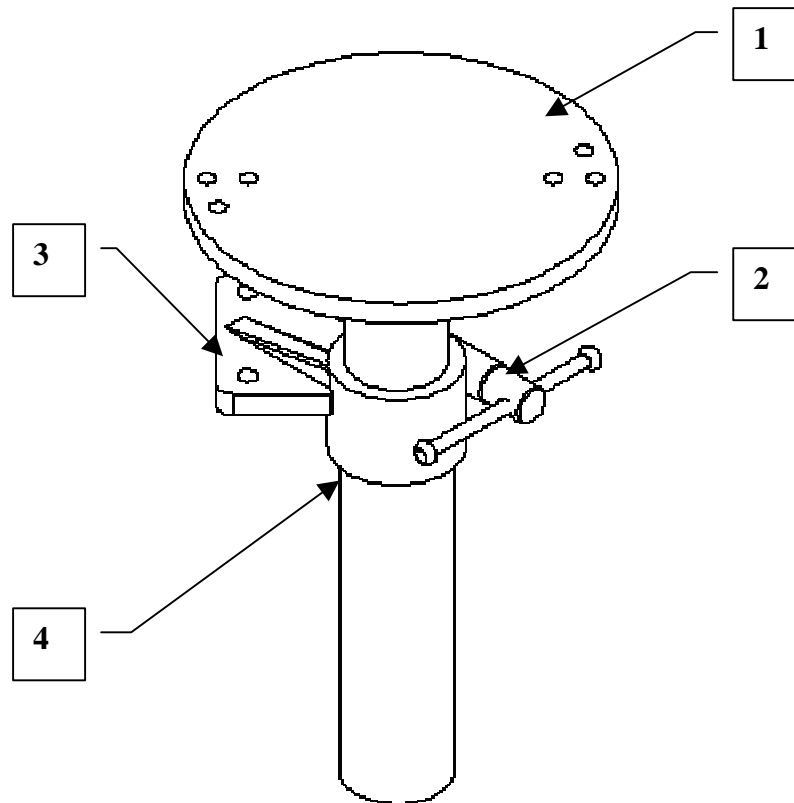


Fig. 1

1. General

The principle of the TD vice telescope lies in its height-adjustable clamping plate (1), to which the vice is attached by screws. Spacing of the base attachment screw holes is determined by the spacing of the York vice base. The telescope base (3) is rigidly attached (by screws) to the work table.

2. Rearranging position

By turning the clamping plate (1) anticlockwise, the clamping plate is being unscrewed, i.e. raised above its base. By turning it clockwise, the clamping plate moves towards the base. The clamping plate position is secured with the positioning handle (3).

4. Important!!

When the clamping plate (1) is unscrewed completely, the top part of the telescope might be pulled out of the sleeve (4) completely and as a result cause an injury. When you are careful, this should not happen thanks to the telescope's design. Nevertheless, you should be extra careful when extending the clamping plate near the extreme position.